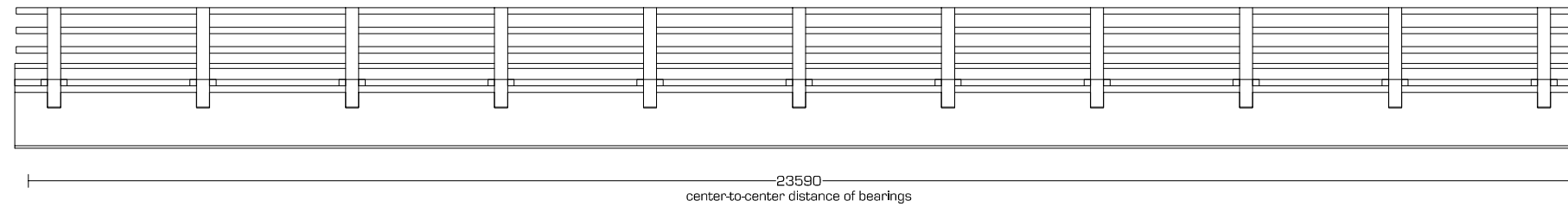


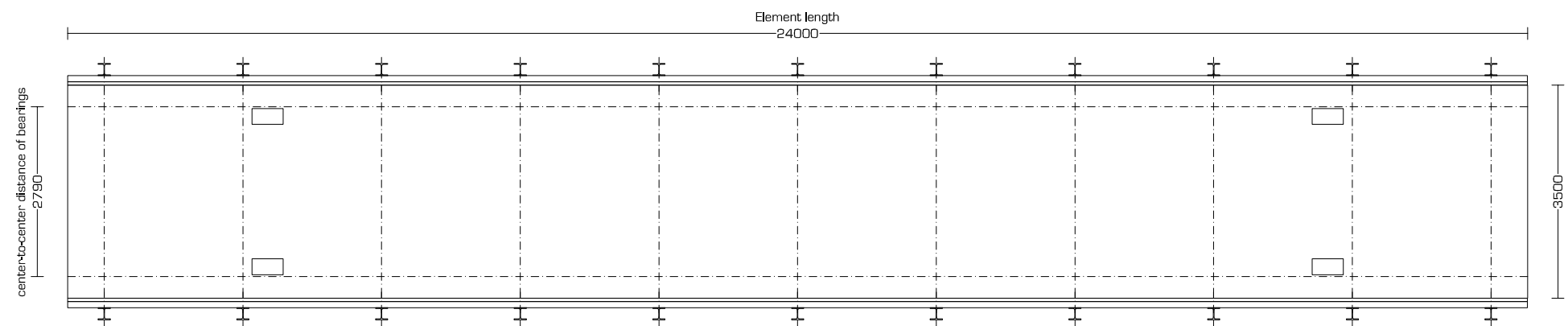
# Janson Plate Girder Bridges JSB 100 series



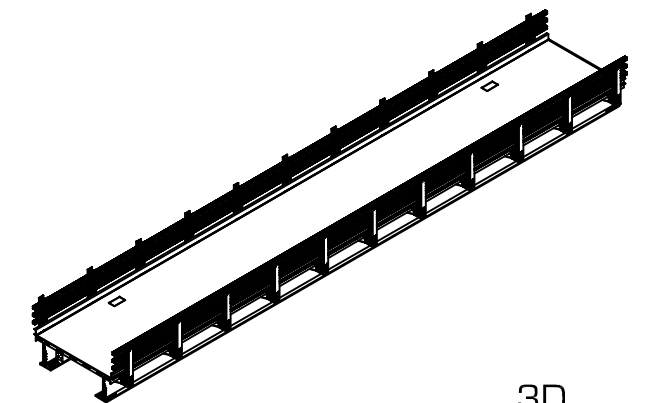
Side view **JSB 100 series - 24,00m** Free span [1-100]



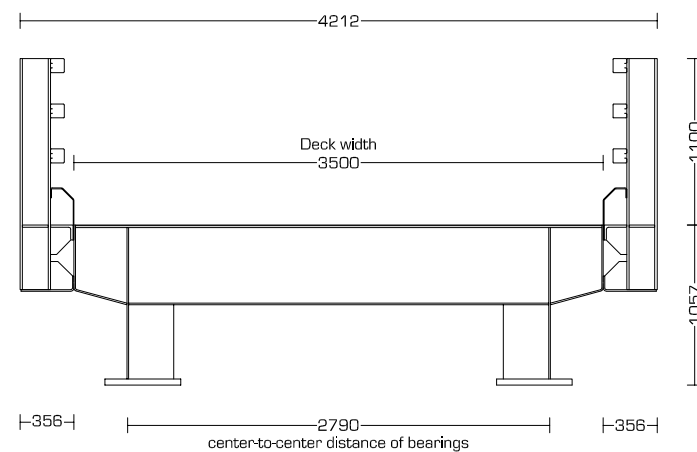
Example



Top view **JSB 100 series - 3,50m** Deck width [1-100]




3D

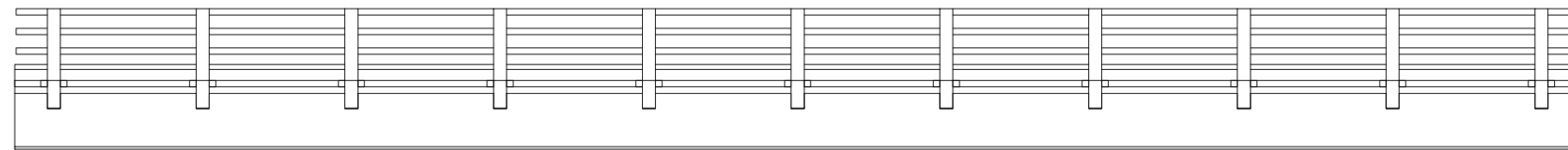


Cross view **JSB 100 series - 1,06m** Construction height [1-50]

- Element length: 24.000 mm
- Deck width: 3.500 mm
- Construction height: 1.057 mm
- Dead load: 34,8 t
- Load class: EuroCode
- Deck surface: Epoxy resin embedded with aggregate

EXAMPLE DRAWING			
		<b>JANSONBRIDGING</b> <small>COME ACROSS</small>	
<a href="http://www.jansonbridging.com">www.jansonbridging.com</a>			
<b>JSB 100 series - 24,00m x 3,50m</b>			
Scale	Format	Date	Author
1-100 1-50		2011-09-15	sc

# Janson Plate Girder Bridges JSB 100 series

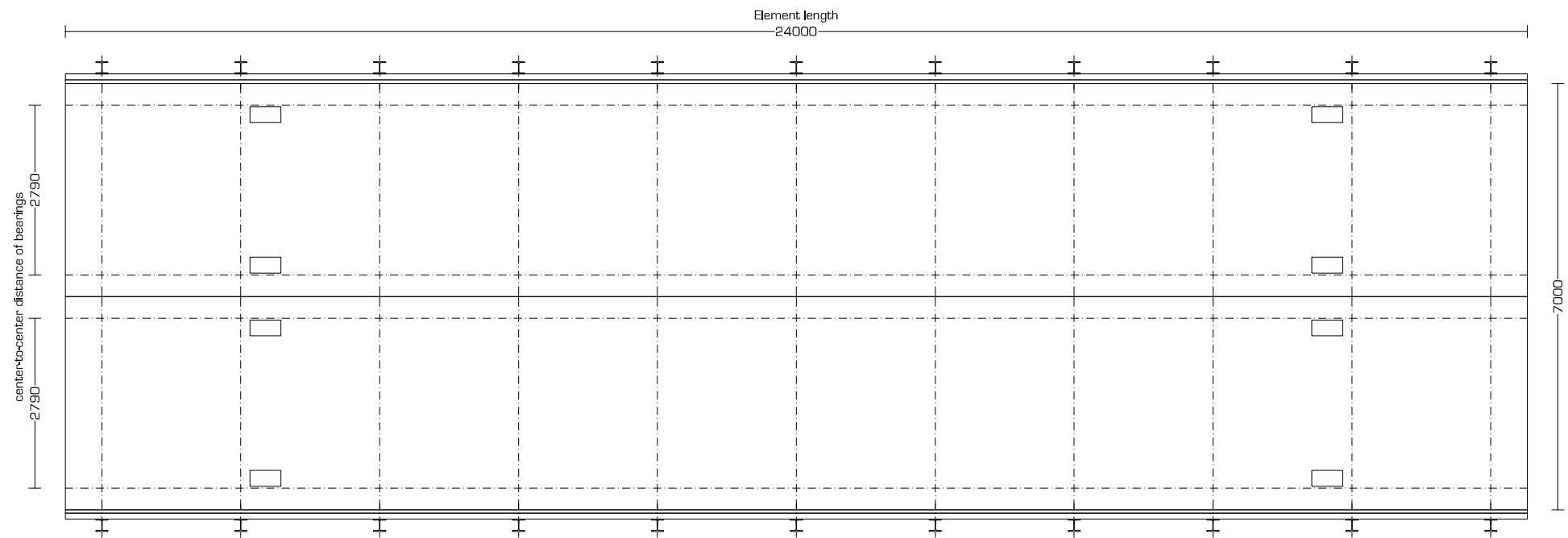


23590  
center-to-center distance of bearings

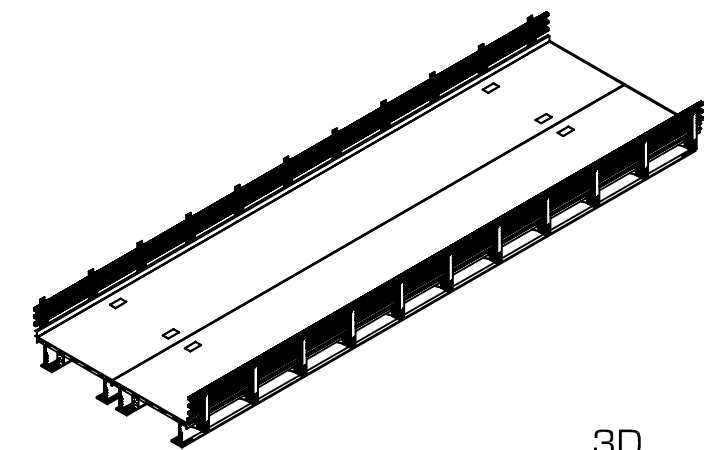
Side view **JSB 100 series - 24,00m** Free span [1-100]



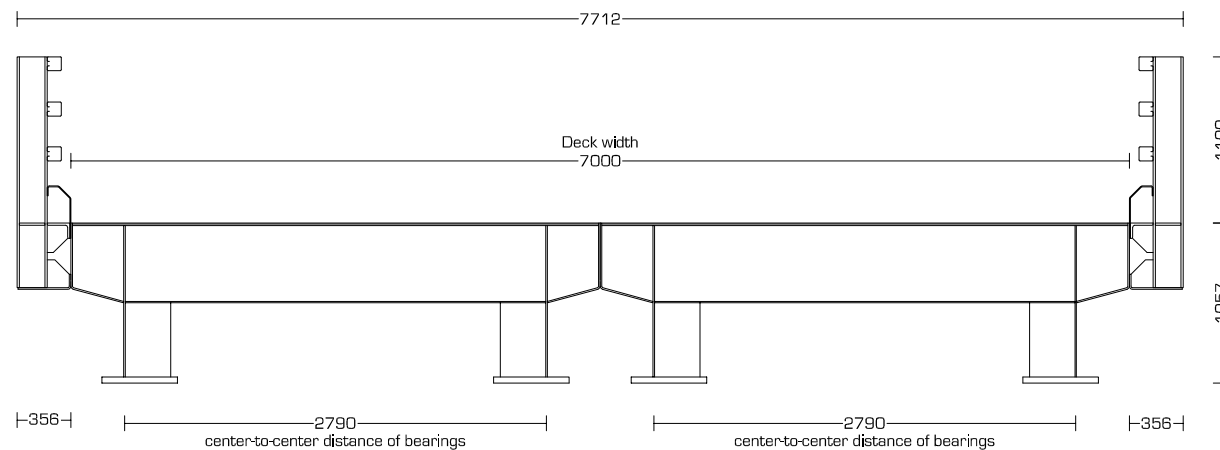
Example



Top view **JSB 100 series - 7,00m** Deck width [1-100]




3D

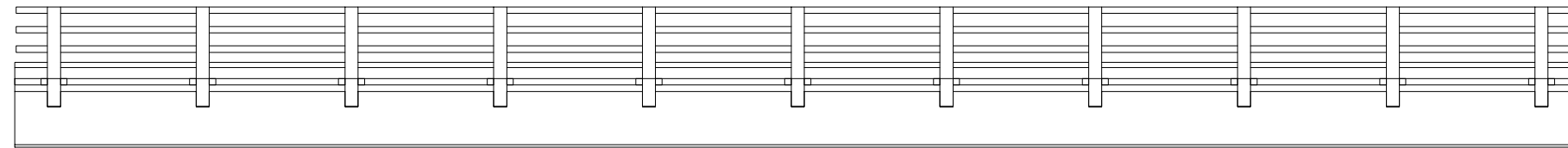


Cross view **JSB 100 series - 1,06m** Construction height [1-50]

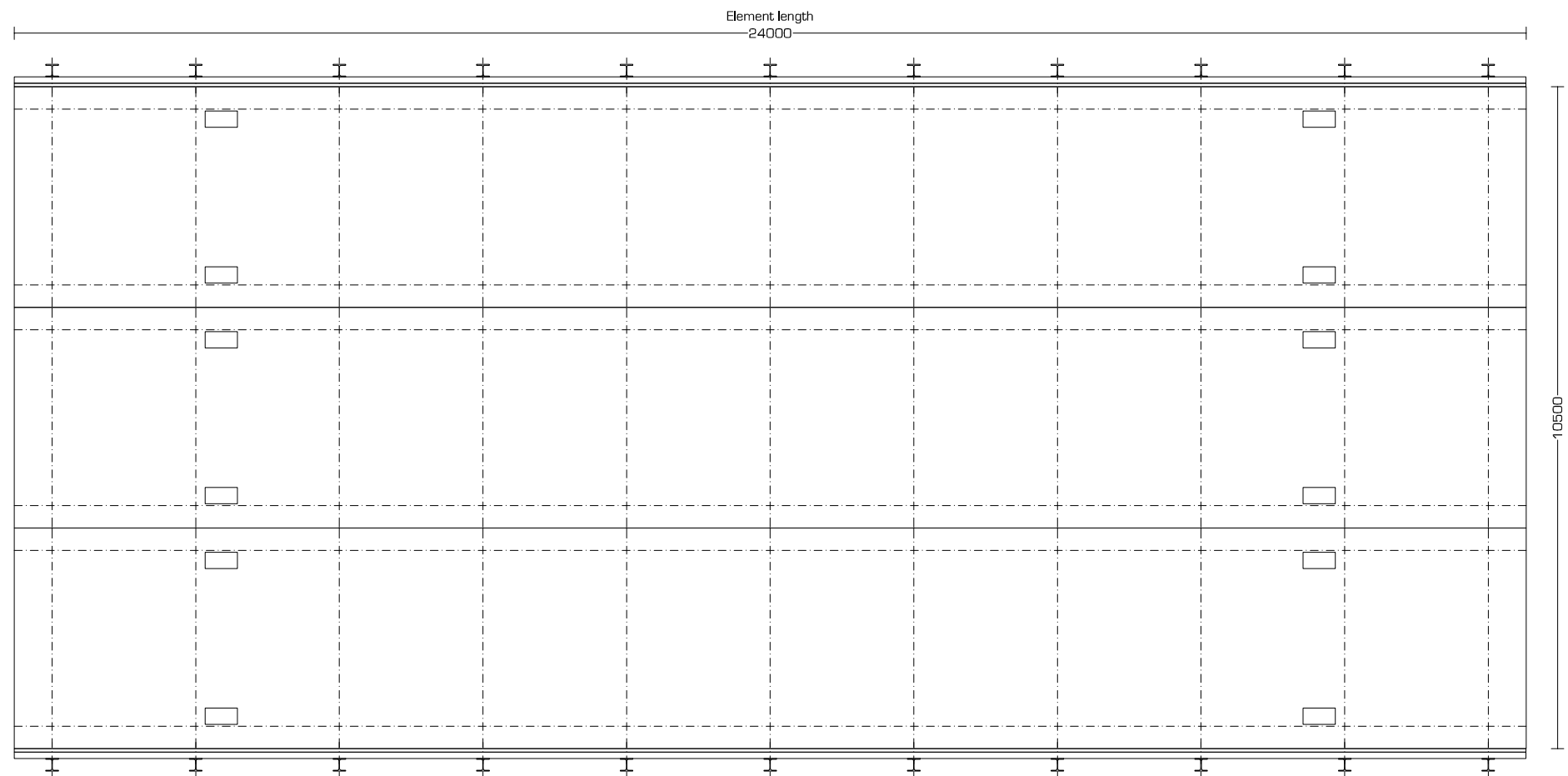
- Element length: 24.000 mm
- Deck width: 7.000 mm
- Construction height: 1.057 mm
- Dead load: 64,8 t
- Load class: EuroCode
- Deck surface: Epoxy resin embedded with aggregate

EXAMPLE DRAWING			
		<b>JANSONBRIDGING</b> <small>COME ACROSS</small>	
www.jansonbridging.com			
JSB 100 series - 24,00m x 7,00m			
Scale	Form	Date	Author
1-100 1-50		2011-09-15	sc

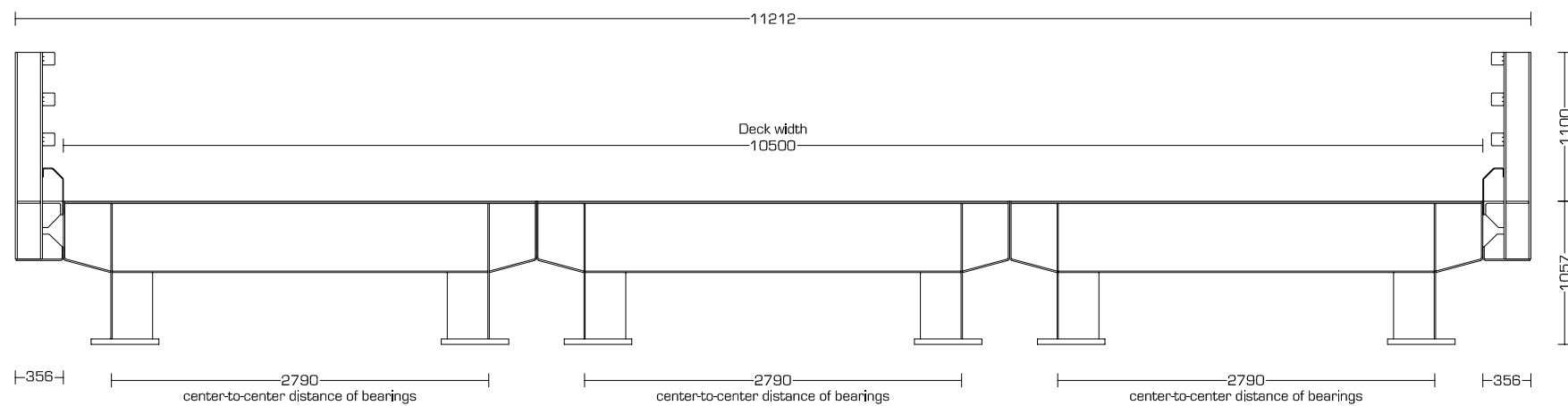
# Janson Plate Girder Bridges JSB 100 series



Side view JSB 100 series - 24,00m Free span [1-100]  
 23590 center-to-center distance of bearings



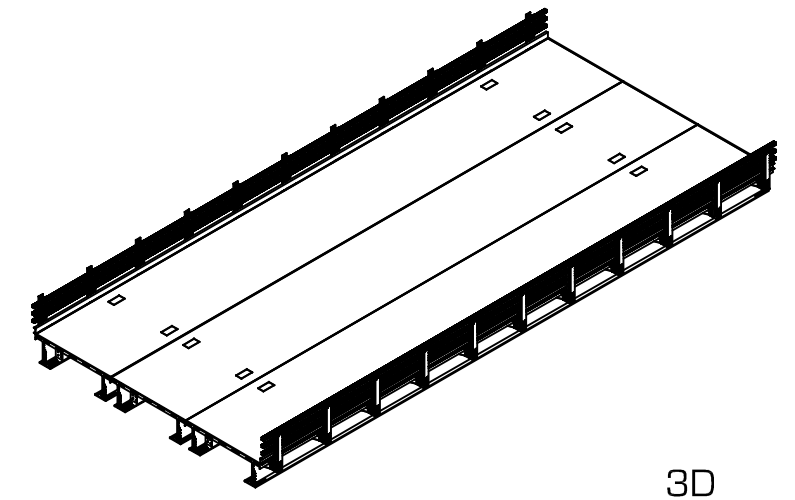
Top view JSB 100 series - 10,50m Deck width [1-100]  
 Element length 24000



Cross view JSB 100 series - 1,06m Construction height [1-50]  
 11212  
 Deck width 10500  
 1100  
 1057  
 2790 center-to-center distance of bearings




Example



3D

- Element length: 24.000 mm
- Deck width: 10.500 mm
- Construction height: 1.057 mm
- Dead load: 94,8 t
- Load class: EuroCode
- Deck surface: Epoxy resin embedded with aggregate

EXAMPLE DRAWING			
		<b>JANSONBRIDGING</b> COME ACROSS	
www.jansonbridging.com			
JSB 100 series - 24,00m x 10,50m			
code	1-100 1-50	date	2011-09-15
author		checked	sc